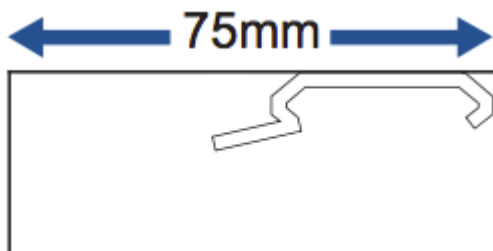


Step 1

Place a bracket at 100mm from either side of the rail. Distribute any remaining brackets evenly along the rail.



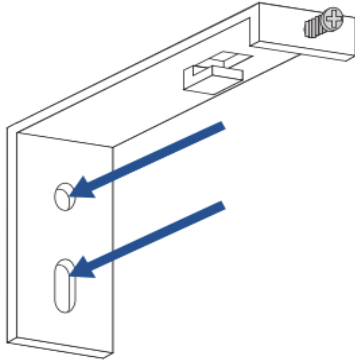
During your ordering process you will have decided whether to use top fix or face fix brackets.



When using top fix brackets, please ensure the distance from the edge of the brackets are at least 75mm away from the surface behind the rail. This allows the louvres to rotate freely without obstruction from the window or wall.

Step Two

Face Fix

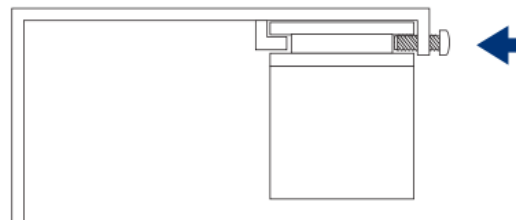
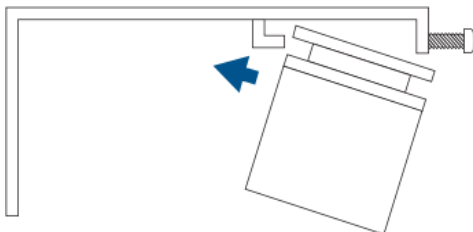


Face fixing your brackets means you will be applying them to the facing surface around the window using two screws.

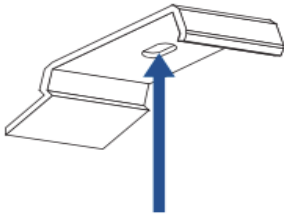
Before applying your headrail, make sure that your controls are on the same side as you requested upon ordering. Tilt the track to insert the back of the headrail onto the bracket, push into position and tighten the screw to lock the track into place.

Repeat the process with each bracket.

The diagram below gives you a visual representation:



Top Fix

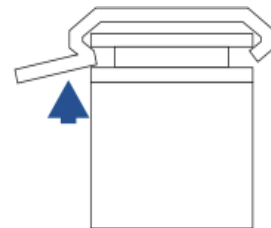
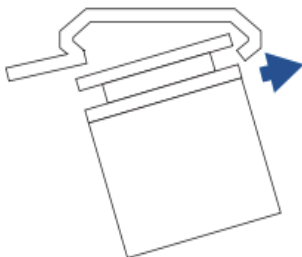


To top fix your blinds, apply the brackets to the top surface of the recess using one screw.

Before applying the headrail, make sure that your controls are on the same side as you requested upon ordering. Tilt the track and insert the front lip of the headrail onto the front lip of the bracket and push up until it clicks into position.

Repeat the process with each bracket.

The diagram below gives you a visual representation:



Step Three:

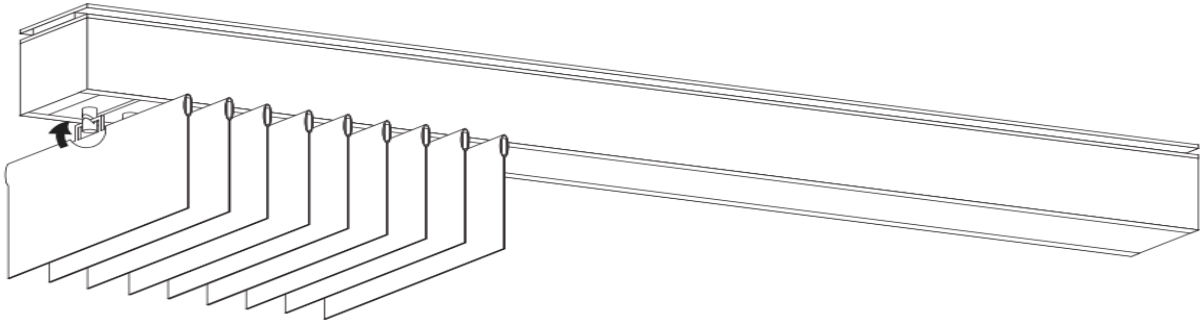
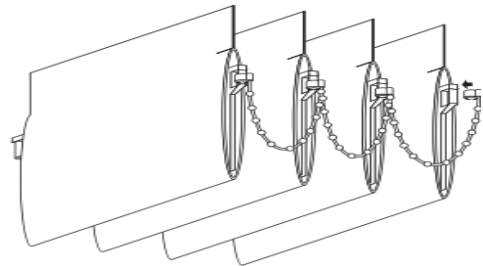


Image above: Hook the louvres (slats) on to the rail.

Firstly, position the hooks at 90° to the headrail.

Remove the louvres from the protective wrapping making sure they are positioned so that the weights and chains are towards the bottom (Image to the right).

Your louvres will have already been chained for you.



If you have opted to have a split stack (open from the middle of the headrail), you will need to cut the chain between the two middle louvres in order for your blinds to function so that they draw to each side. Simply draw the louvres in the middle of the stack allowing you to easily locate and cut the chain to separate them. Only do this once the louvres have been positioned correctly and you are happy with their position.



Your vertical blind is fully compliant with the latest safety standards.

It is supplied with a mono control wand that hooks onto the mechanism, designed to open and tilt your blind.

Top Fix Brackets



Face Fix Brackets

